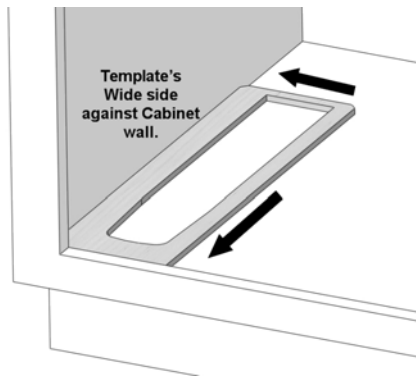
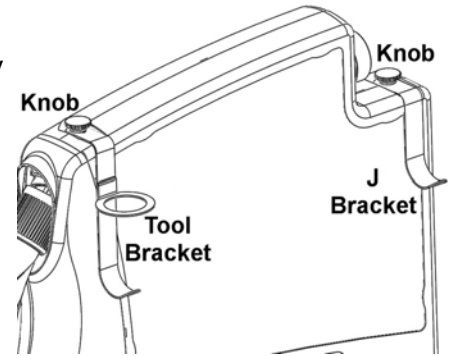


# Vroom Cabinet Installation

1. Locate cardboard template inside the cabinet.

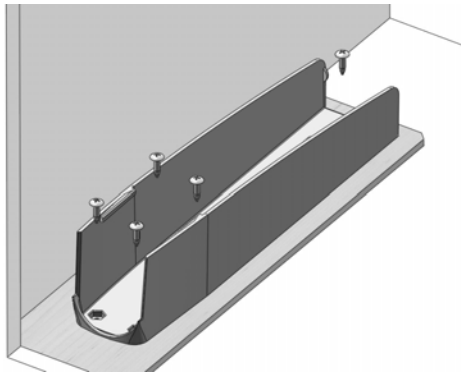


5. Attach accessory brackets as shown.

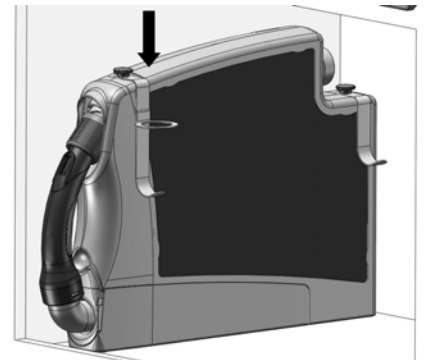


2. Place mounting bracket in template.

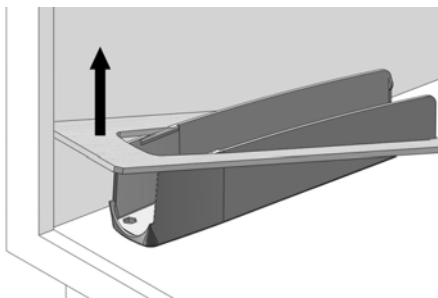
Secure with 5 screws as shown.



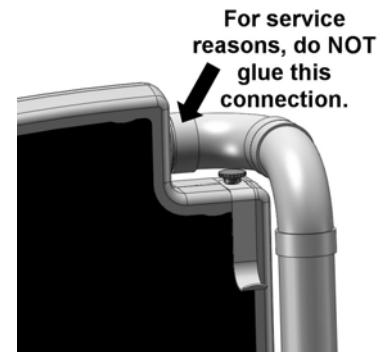
6. Install the Vroom in the mounting bracket by pushing it into place as shown. It will snap in place when installed correctly.



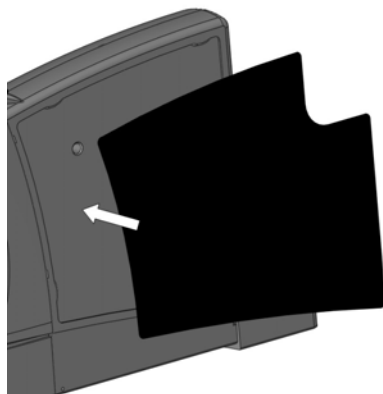
3. Remove the cardboard Template.



7. Connect the vacuum tubing to the Vroom's connector on the back as shown. Do NOT glue, press fit only.



4. Install the side panel. Flex it so the edges tuck under the 5 plastic molded tabs.



8. Connect the low voltage wires on the back of the unit.

